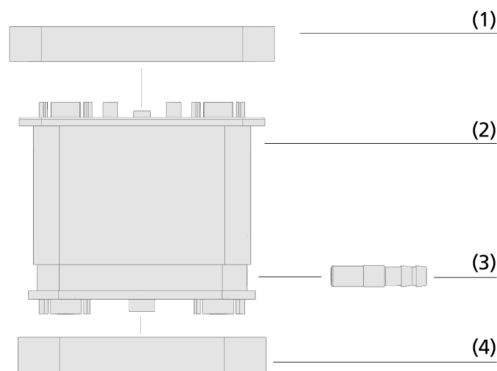


# Vacuum Blocks VCBL-G-K2

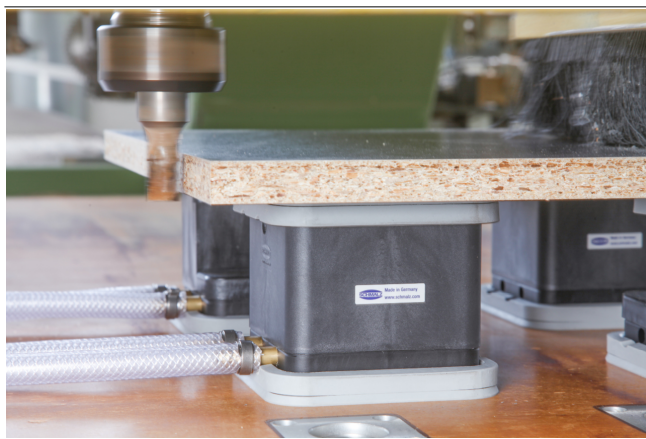
Height 100 mm



Vacuum Blocks VCBL-G-K2



System design Vacuum Blocks VCBL-G-K2



Vacuum blocks VCBL-G-K2 for clamping particle boards

## Suitability for industry specific applications

### Application

- Universal vacuum clamping system with hose connection for CNC machining centers with flat table (2-circuit system)
- The vacuum block is connected to the machine vacuum supply by two hoses
- One vacuum line (circuit 1) supplies the bottom suction plate for fixing the vacuum block to the machine table, while the second line (circuit 2) supplies the top suction plate for fixing the workpiece to the vacuum block
- Enables damage-free clamping with the highest precision and holding force

### Design

- Top suction plate (1) for fixing the workpiece
- Robust main body (2) made of plastic
- Hose connections (3) for vacuum supply
- Bottom suction plate (4) for fixing the vacuum block on the console

### Product highlights

- Highest holding forces in wood applications thanks to optimized seals and friction pads
- Highest dimensional accuracy for more precision in the production process
- Wide range of products offers maximum flexibility and enables short set-up times
- Suction plates can be replaced quickly, easily and economically without tools

# Vacuum Blocks VCBL-G-K2

Height 100 mm

## Designation code Vacuum Blocks VCBL-G-K2

<b>VCBL-G-K2</b>	-	<b>120x120</b>	-	<b>x100</b>	-	<b>ST</b>	-	<b>AS</b>
1		2		3		4		5

### 1 – Abbreviated designation

Code	Type
VCBL-G-K2	Vacuum blocks for flat table systems, 2-circuit console system

### 2 – Suction area

Code	LxW in mm
120x120...	120x120 to 130x30
130x30	

### 3 – Height

Code	Height in mm
x100	100

### 4 – Product addition

Code	Type
ST	With hose sleeves

### 5 – Product addition

Code	Type
AS	With lifting system


The vacuum block VCBL-G-K2 is delivered assembled. The product consists of:

- Top suction plate type VCSP-O - elastomer part, available in various dimensions and suction surfaces
- Main body made of plastic
- Bottom suction plate type VCSP-U - Elastomer part

Available spare parts: suction plate (top), wear part set, sealing frame, friction plate, suction plate (bottom)

Available accessories: hose set, suction plate foam rubber


## Ordering data Vacuum Blocks VCBL-G-K2

Type	Dimension (LxW):					
	120x120		125x75	120x50	130x30	
VCBL-G-K2	100	ST	10.01.12.00053 	10.01.12.00056	10.01.12.00055	10.01.12.00059
VCBL-G-K2	100	ST+AS	10.01.12.00054	-	-	-

## Ordering data Spare parts Vacuum Blocks VCBL-G-K2


Type	Spare parts	Part no.
VCBL-G-K2 120x120x100 ST	Suction plate (top)	VCSP-O 120x120x16.5 TPE 10.01.12.00010 
VCBL-G-K2 120x120x100 ST+AS	Suction plate (top)	VCSP-O 120x120x16.5 TPE 10.01.12.00010 
VCBL-G-K2 125x75x100 ST	Suction plate (top)	VCSP-O 125x75x16.5 TPE 10.01.12.00011 
VCBL-G-K2 120x50x100 ST	Suction plate (top)	VCSP-O 120x50x15.5 TPE 10.01.12.00012 
VCBL-G-K2 130x30x100 ST	Set of parts subject to wear	VST VCSP 10.01.12.00723

Type	Sealing frame	Friction plate
VCBL-G-K2	130x30 10.01.12.00804	10.01.12.00805

Type	Spare parts	Part no.
VCBL-G-K2	Suction plate (bottom)	VCSP-U 120x120x16.5 VCBL-G TPE 10.01.12.00063 

## Ordering data Accessories Vacuum Blocks VCBL-G-K2

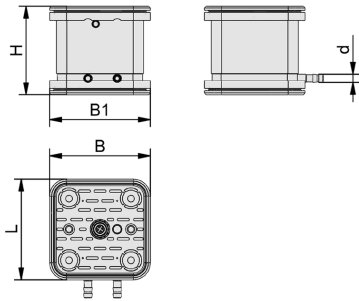
Type	Accessories	Part no.
VCBL-G-K2	Accessories-clamping systems	2 x 1.5m hose with connectors ZUB VCBL-G 10.01.12.00203

Type	Accessories	Part no.
VCBL-G-K2	125x75 Suction plate (top)	Foam rubber suction plate VCSP-O 125x75x17.7 MOS TPE 10.01.12.03511 

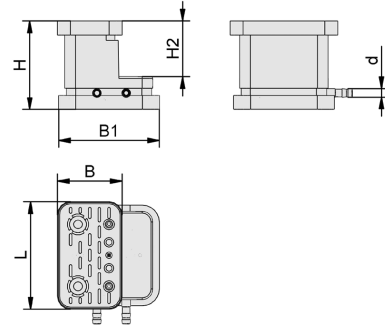
# Vacuum Blocks VCBL-G-K2

Height 100 mm

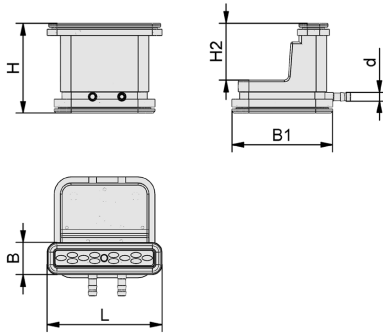
## Design data Vacuum Blocks VCBL-G-K2



VCBL-G-K2 120x120



VCBL-G-K2 120x50, VCBL-G-K2 125x75



VCBL-G-K2 130x30

## Vacuum Blocks VCBL-G-K2

Height 100 mm

### Design data Vacuum Blocks VCBL-G-K2

Type	B [mm]	B1 [mm]	d [mm]	H [mm]	H2 [mm]	L [mm]
VCBL-G-K2 120x120x100 ST	117	117	10	100	-	117
VCBL-G-K2 120x120x100 ST+AS	117	117	10	100	-	117
VCBL-G-K2 125x75x100 ST	75	117	10	100	63	125
VCBL-G-K2 120x50x100 ST	50	117	10	100	63	120
VCBL-G-K2 130x30x100 ST	37	138	10	100	63	134

### Multimedia product presentation

Medium	Link
Product video	<a href="https://vimeo.com/178568576">https://vimeo.com/178568576</a>